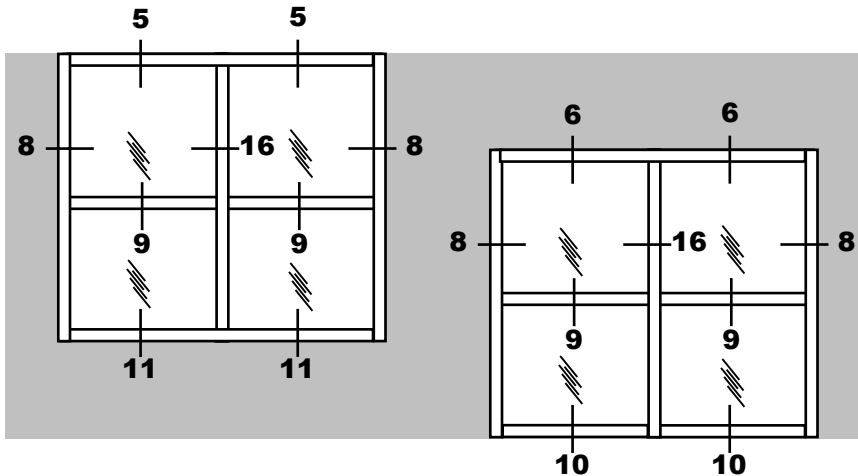


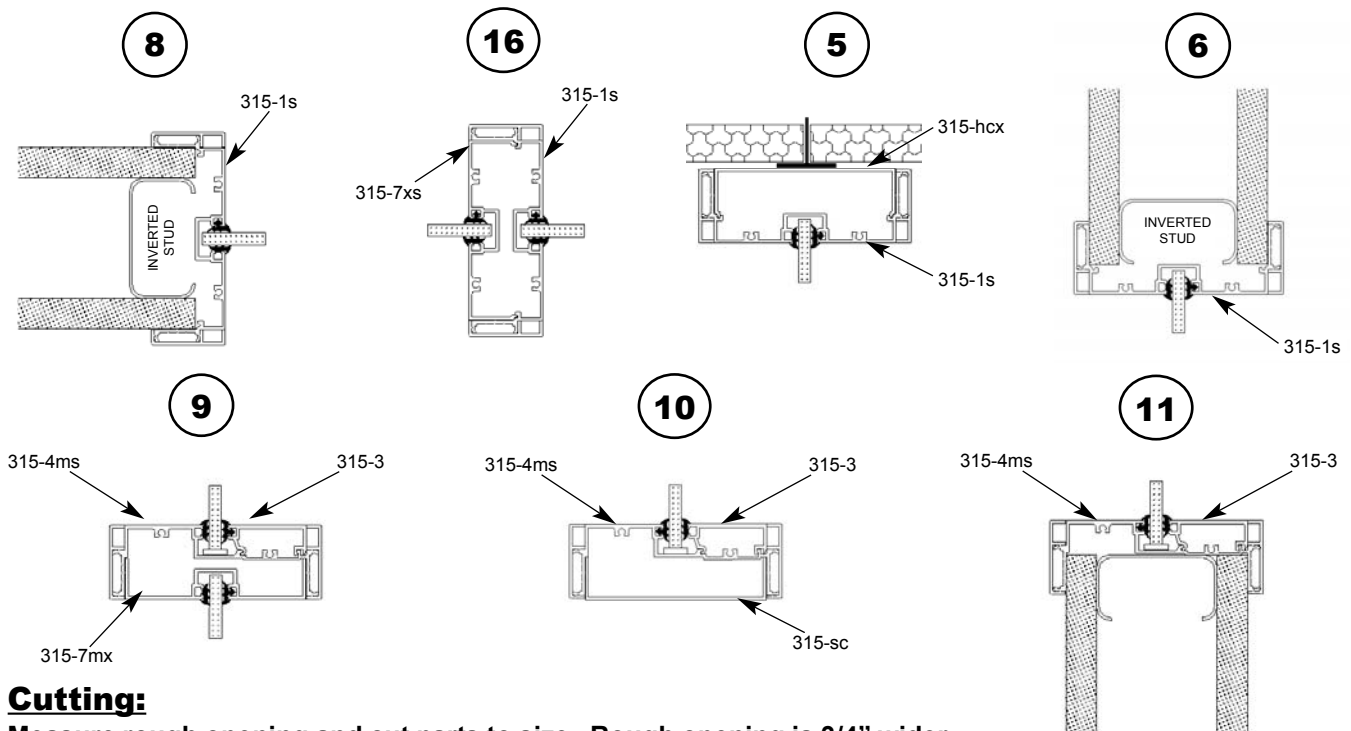
Western Integrated Materials, Inc.

Borrowed Light Installation Instructions



Special Note: If installing to ceiling grid (detail 5) ensure that the ceiling grid is level and that the head channel is level and square before installing glazing material.

DO NOT SECURE FRAME UNTIL ALL PARTS ARE SET IN PLACE.



Cutting:

Measure rough opening and cut parts to size. Rough opening is 3/4" wider per side. Horizontal mulls and sill are cut to daylight opening dimensions.

1. Start jamb over wall at head and swing bottom into place.
2. Repeat with second jamb.
3. Push head up over wall.
4. If included - now install vertical mullion. This is done by placing mullion at head in desired position and swinging bottom into place.
5. If going to floor, cut sill channel to size and install.
6. Set sill over wall or sill channel, level and secure in place.



Western Integrated Materials, Inc.

Fig. 1

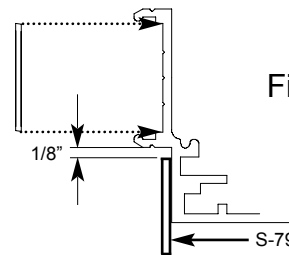
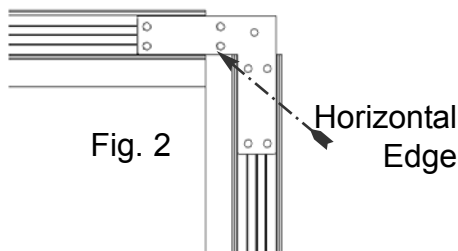
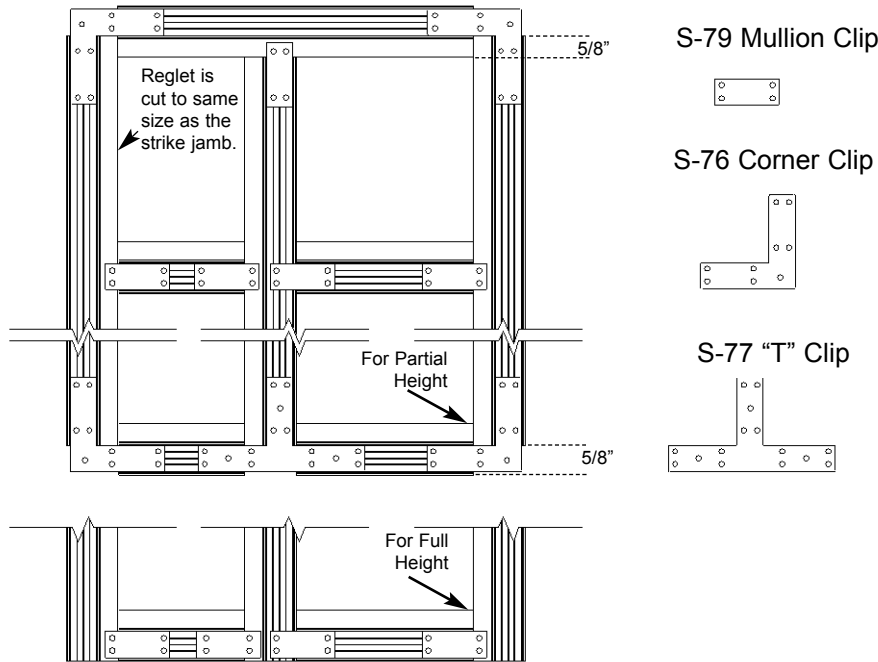


Fig. 3

S-76 & S-79 Clip Alignment Groove

7. Slide one jamb over to sill and use a square for a 90° at corner. Install clip as needed. (see Fig. 1) Clip must set flat in groove. (Fig. 3)
8. Repeat at head.
9. Locate and install vertical mullion and secure top and bottom with S-79 mullion clips. (see Fig. 1)
10. If included, now install horizontal mullions. Use square at jambs to have a 90° and attach both ends with S-79 mullion clips.
11. Set glass.
12. Install snap on stop.
13. Roll in vinyl.
14. Snap on trim.

Special Note: Installing Mullion (Horizontal or Vertical)
Mullion clips (S-79) are supplied. Hold end of clip 1/8" back from edge of trim retainer so trim can be installed continuously without notching. (Fig. 4)

CLEANING: If necessary to clean the aluminum, use water with a mild detergent. No abrasive agents should be used.

FASTENING: Corner Clips (S-76) - 4 per frame - 3 sided, 8 per frame - 4 sided. Use 1-1/2" #6 drywall screws. (4 per clip.)

FASTENING DOOR FRAME: Use 1-1/2" drywall screws. Screw 2" from each end - 12" o.c. minimum.