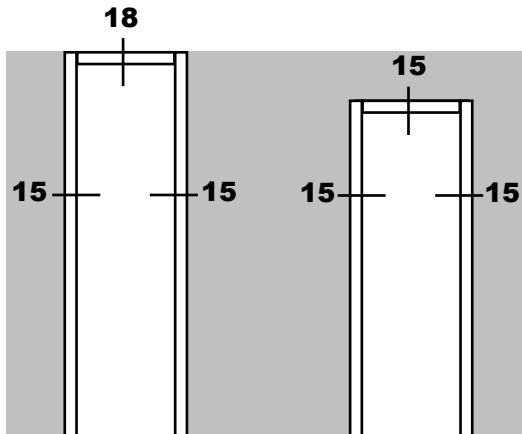




Western Integrated Materials, Inc.

3 Sided Cased Opening Installation Instructions



Special Note:

If installing to ceiling grid (detail 18) ensure that the ceiling grid is level and that the head channel is level and square before installing casing material.

Special Note:

DO NOT SECURE FRAME UNTIL ALL PARTS ARE SET IN PLACE.

Cutting:

Measure rough opening and cut parts to size. Rough opening is 3/4" wider per side.

1. Start jamb over wall at head and swing bottom into place. (Fig. 4)
2. Repeat with second jamb.
3. Push head up over wall.
4. Plumb one jamb and secure in place.
5. Pull head to jamb. Check corner for 90°. Horizontal edge of jamb must line up with horizontal edge of clip. (Fig. 2) Clip must set flat in groove. (Fig. 3)
6. Slide other jamb over into position and line up as above. Plumb and secure in place. (Fig. 5)
7. Snap on trim.

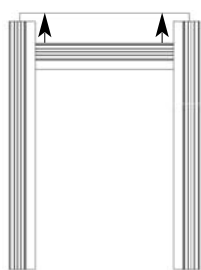
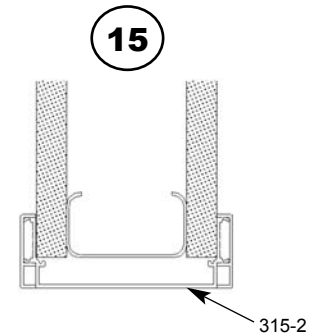
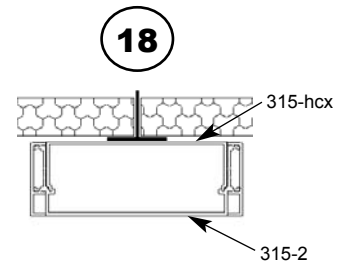


Fig. 4

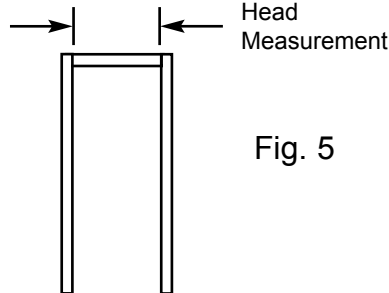


Fig. 5

CLEANING: If necessary to clean the aluminum, use water with a mild detergent. No abrasive agents should be used.

FASTENING: Corner Clips (S-76) - 4 per frame - 3 sided, 8 per frame - 4 sided. Use 1-1/2" #6 drywall screws. (4 per clip.)

FASTENING DOOR FRAME: Use 1-1/2" drywall screws Screw 2" from each end - 12" o.c. minimum.