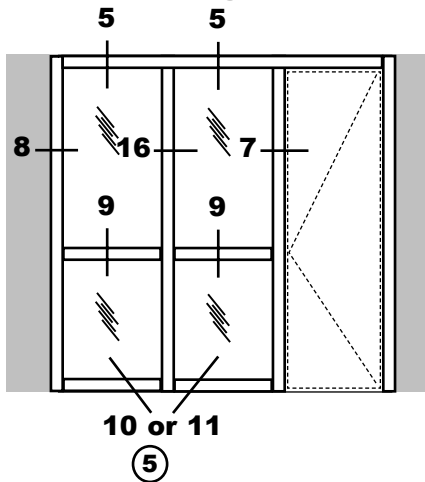
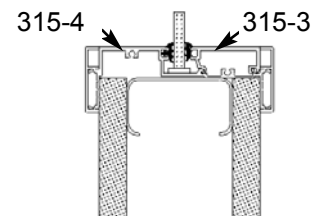
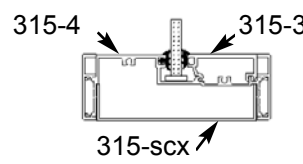
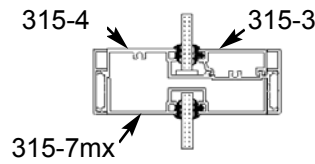
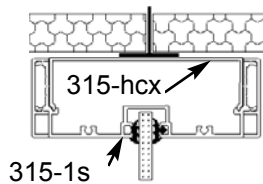
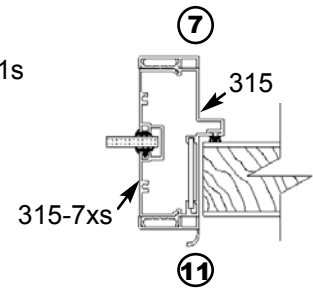
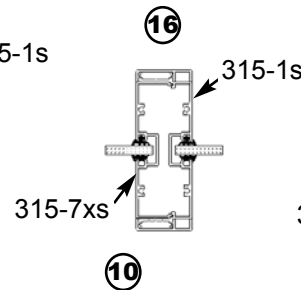
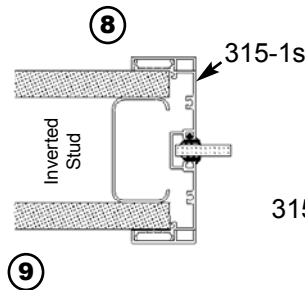


Western Integrated Materials, Inc.

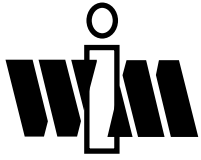
Full Height to Ceiling Grid Sidelight Installation Instructions



Special Notes: The stud at detail 8 must be inverted so that the glass pocket will clear. Before installation of frame and glazing material, ensure that the ceiling grid is level and that the head channel is level and square.



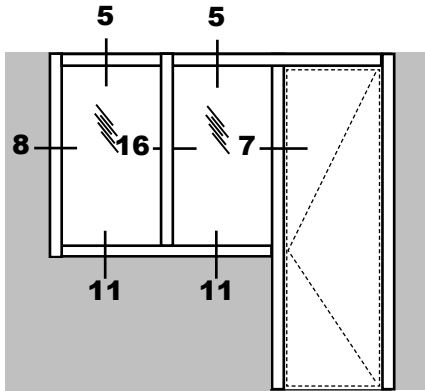
1. Install door frame as per door frame installation instructions omitting the S-76 clips in the corner adjacent to the sidelight.
2. Measure rough opening and cut verticals and glazing header to size. (see Fig. 1) Determine horizontal daylight opening dimensions and cut horizontal mulls and sill to daylight opening dimensions.
3. Pull vinyl into one side of each glazing section having a vinyl pocket. Ensure vinyl is faced correctly.
4. Install reglet into door frame jamb on the sidelight side and screw the two together every 12" o.c.
5. Align sidelight head with the door frame head and join together with a mullion clip each side. (see Fig.1) Bring the door frame/reglet jamb up under where the two heads meet. Align edge of clip with seam where the headers meet and check door opening for correct width. Fasten with mullion clips each side. (see Fig. 1)
6. Install the sidelight jamb, (see detail 8), by pushing it up beside the header. The vertical jambs all go to the floor. If there are vertical mullions, put them in the desired location and attach with mullion clips at the top. (see Fig. 1) Install floor track between the door frame/reglet jamb and the sidelight jamb or, if using vertical mulls, install between door frame/reglet jamb and vertical mull and between vertical mull and sidelight jamb. Place the sill over the floor track and secure with screws. Fasten the ends of the sill to the jambs with mullion clips. (see Fig. 1)
7. If there are horizontal muntins, put them at the desired height between the vertical mullions and fasten to vertical mullions with mullion clips at both ends. (see Fig. 1)
8. Make sure all sections are level and that the door frame and all components are level and square. Secure all around with drywall screws 12" o.c.
9. Install glass. If the sidelight is fire rated it will be reinforced with a steel channel at the door frame/ sidelight reglet. Install glass using silicone, then snap on the trim.
10. If sidelight is non-rated, roll in the vinyl and snap on the trim.



Western Integrated Materials, Inc.

Partial Height to Ceiling Grid Sidelight Installation Instructions

See details on other side.



1. Install door frame as per door frame installation instructions omitting the S-76 clips in the corner adjacent to the sidelight.
2. Pull vinyl into one side of each glazing section having a vinyl pocket.
3. Align sidelight head with the door frame head and join together with a mullion clip each side. (see Fig. 1)
4. Install reglet into door frame jamb on the sidelight side and screw the two together every 12" o.c.
5. Install sidelight jamb and push up beside the sidelight head.

Align top and bottom with S-76 corner clips placed in the trim bead of the vertical and horizontal sections. (see Fig. 1) Fasten the jamb with a few screws to hold in place.

6. If there are vertical mullions, put them in place and attach with mullion clips at top. (see Fig. 1)
7. Install the sill section(s) over the stub wall and fasten with clips and screws every 12" o.c. (see Fig. 1)
8. Make sure all sections are level and square and secure all around the unit with screws placed every 12" o.c.
9. If there are horizontal muntins, put them at the desired height and fasten with mullion clips at both sides. (see Fig. 1)
10. Install glass, put the snap-on section in place, roll in vinyl and snap the trim all around the unit.

Fig. 1

