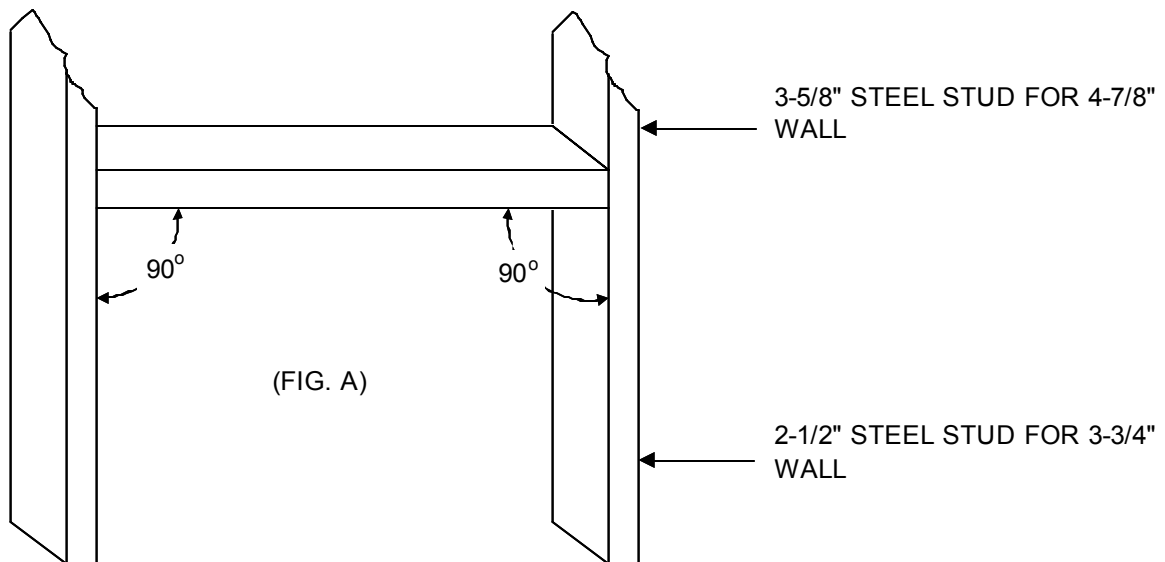


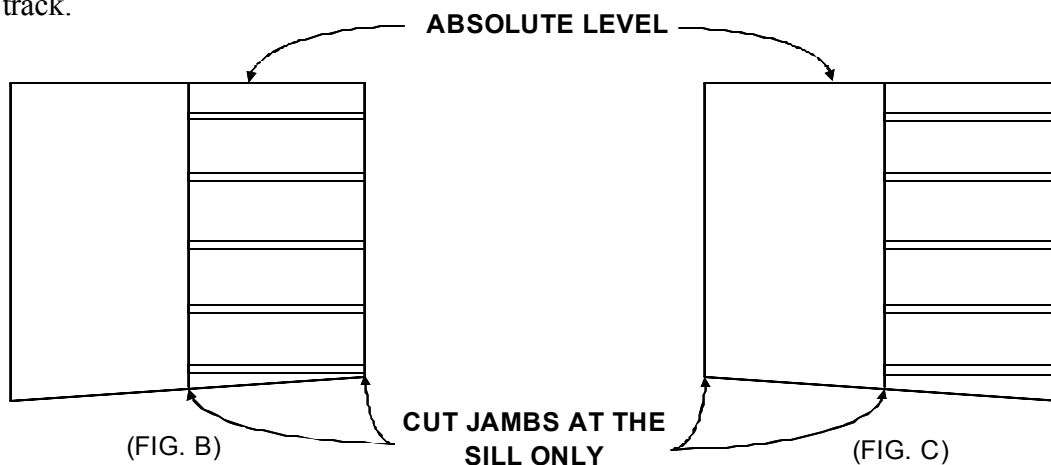
## Pocket Frame Installation Instructions

**IMPORTANT: THIS PAGE SUPERSEDES HARDWARE PACKAGE !!!**

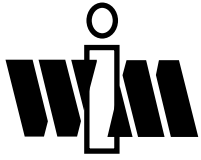
1. All framing must be square (Fig. A) and be the proper dimensions.



If for any reason your floor is not level, the jamb must be trimmed at the base (Fig. B & C). The header must always remain level. This is because the door hangs and rolls on the top track.

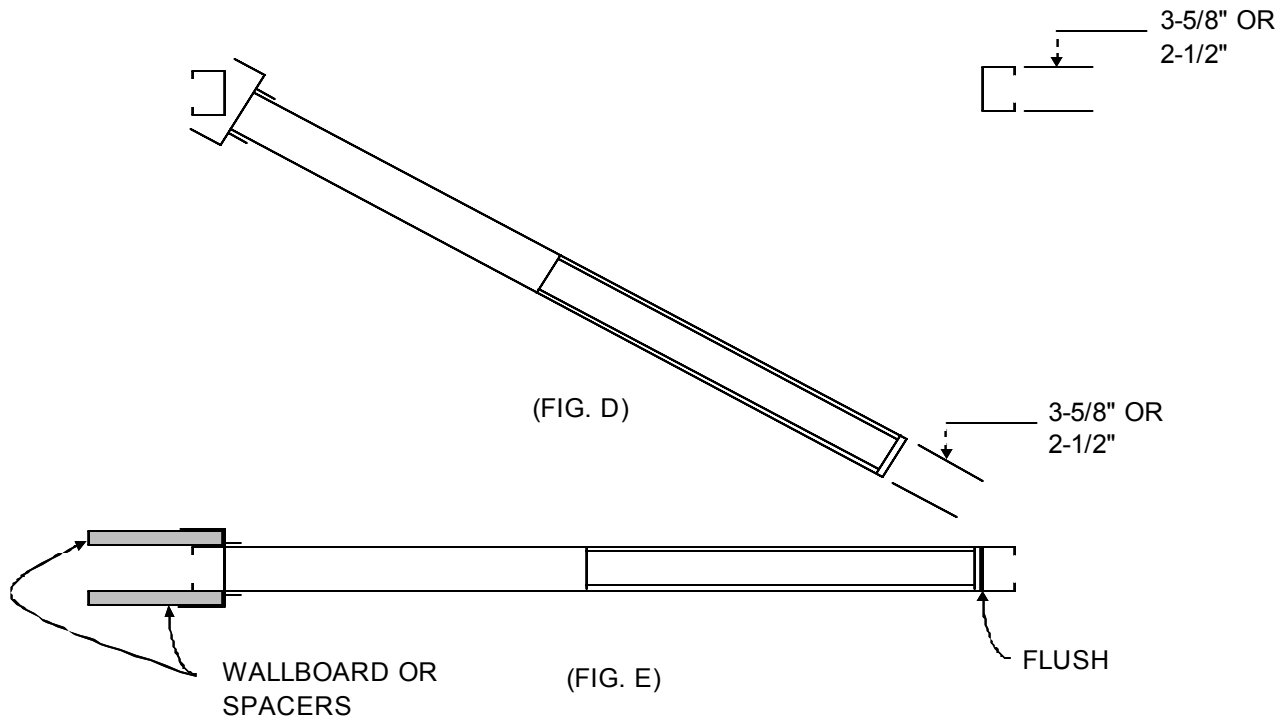


2. All framing must be with steel studs. **NOT FLOOR TRACK !**
3. **IMPORTANT:** INSTALL ROLLERS ONTO TRACK. THIS MUST BE COMPLETED BEFORE FRAME IS INSTALLED IN OPENING

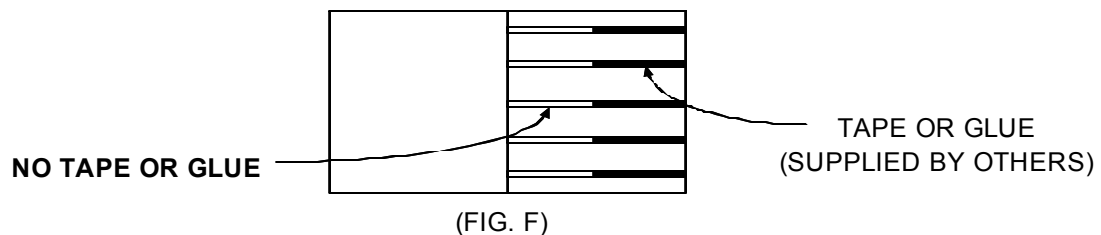


# Western Integrated Materials, Inc.

4. Slip exposed jamb over steel stud (FIG. D) & swing pocket end into place. (FIG. E)



5. To center exposed jamb, you must either now install drywall or use dummy spacers (Fig. E). Wall Frame work and pocket frame work will flush out.
6. You can now secure frame by screwing through jambs and header.
7. Install hanger plate to top of door. (See Hardware Instructions.)
8. Hang door on rollers. (See Hardware Instructions.)
9. To attach wall board to steel horizontal ribs, use double stick tape or glue on one half of each rib only. (Fig. F) If tape is applied to entire length of horizontal ribs the gypsum board cannot be slipped under jambs.



10. Now install door frame trim by snapping it on.