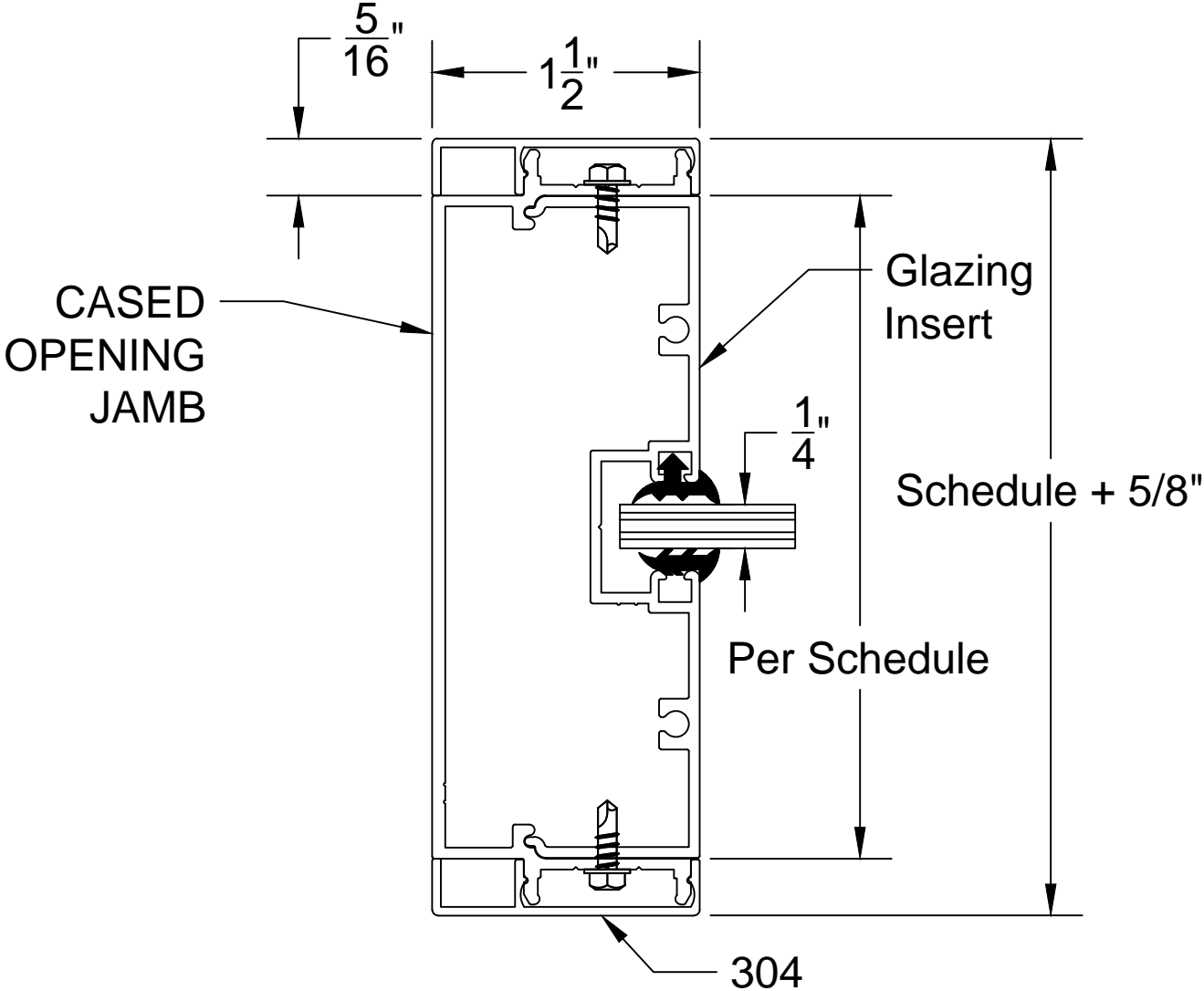


DETAIL 17A



300 SERIES CASED OPENING/GLAZING INTERMEDIATE MULLION W/ 304 (5/16" X 1 1/2") FLUSH TRIM

A				WESTERN INTEGRATED MATERIALS, INC. 3310 E. 59th Street Long Beach, CA 90805 (562) 634-2823 FX: (562) 634-8449 www.aluminumdoorframes.com	SCALE	FILE NO. 300-17-304
B					N/A	DETAIL NO.
LET	REVISION	BY	DATE			17A